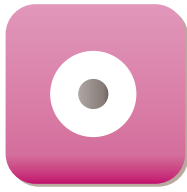


CUTTING



MOUNTING



POLISHING



HARDNESS TESTING



MECATOME T 260

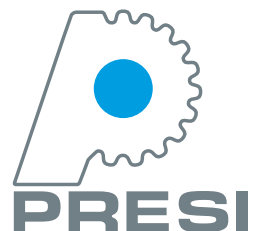
SIMPLE AND ROBUST CUTTING MACHINE



A manual cutting machine, reliable and strong for laboratory or production works. Simple and flexible, the MECATOME T 260 is a 2 speed machine for perfect adaption to the material to cut.



A STRONG WORLDWIDE PRESENCE THROUGH SUBSIDIARIES AND MORE THAN 35 DISTRIBUTORS



FUNCTIONALITIES

REF. 51200

Width
680mm

Depth
825mm

Height closed lid
525mm

Height opened lid
880mm

Weight
110kg

Conformity
EC

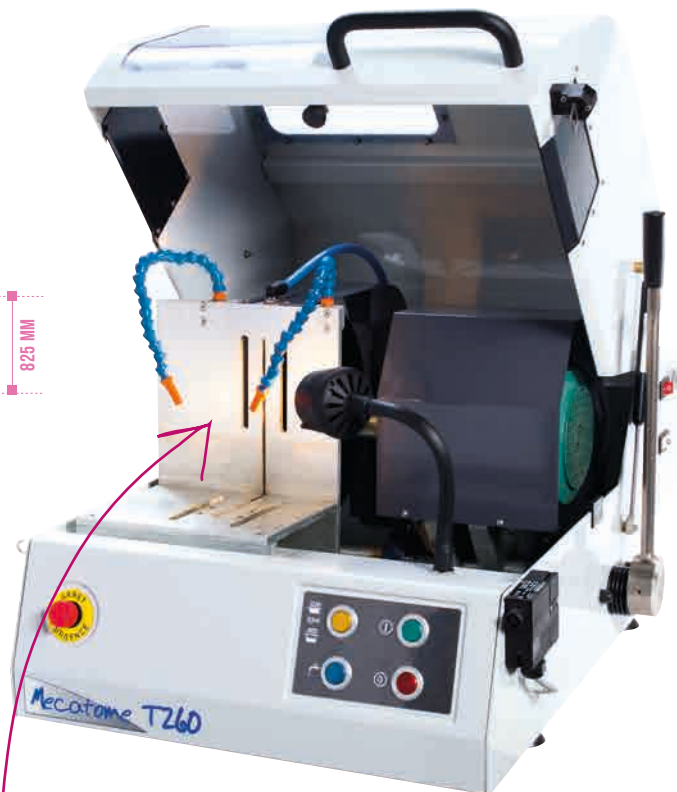
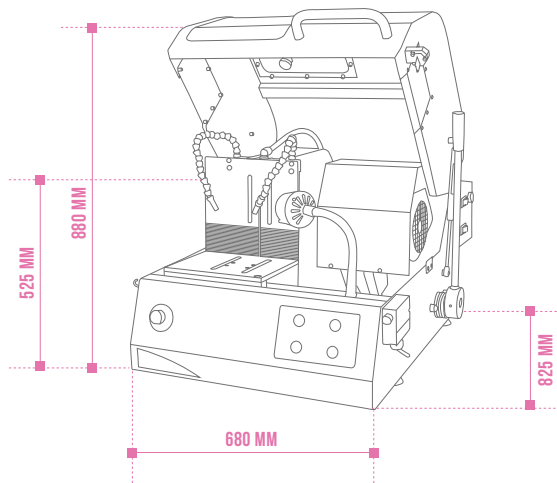
A reliable, robust and versatile cut-off machine

MECATOME T260 provides maximum flexibility and rapid set up through the provision of an easily accessible cutting table that allows quick sample clamping in either the vertical or horizontal plane with the provided vises.

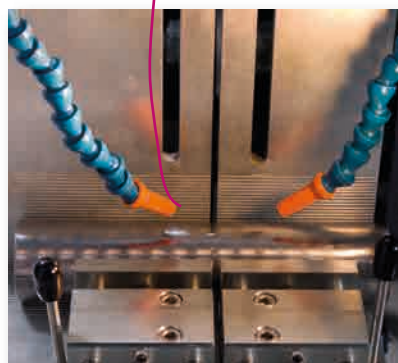
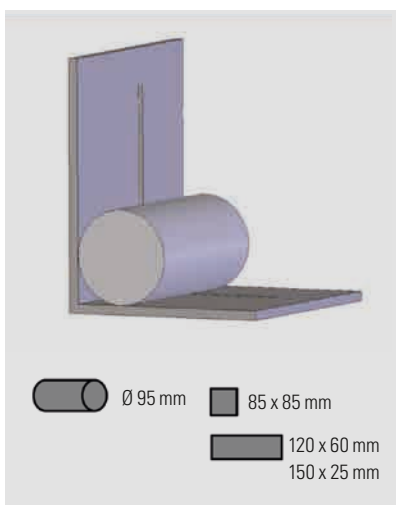
MECATOME T260 can also be equipped with other types of vise from the available accessories to allow a range of sample geometries to be clamped.

The motor / blade assembly on the MECATOME T260 has been carefully designed to provide optimum balance during the cut for improved precision and reduced effort for the user.

- Table-top cutting machine
- Safety lock
- Two possible positions for vises: horizontal or vertical
- Possibility of using Kopal-type clamping systems
- Cutting disc Ø 250mm and 300mm
- Two disc rotation speeds: 3200rpm and 3800rpm
- 3 HP motor - 230-volt supply - single-phase
- Interior lighting
- Cut lubrication provided by double spraying from both sides of cutting disc
- Pump and tray for re-circulation included
- Machine complies with EC norms



CUTTING ENVELOPE*



* This illustration of the cutting envelope of the MECATOME T260 is to show the maximum theoretical capacity only. The actual capacity in practice will depend on the sample geometry and its physical properties.

CHARACTERISTICS

HOOD	
Type	PETG enclosure with metal hinges
Safety	Interlock switch keeps hood locked during cutting
MOTORIZATION-POWER SUPPLY	
Power	2 200 W
Power supply	220 V / Single phase / 50/60Hz
Control of the motor	Frequency inverter
CUT-OFF WHEELS	
Type of cut-off wheels	Resin bonded and metal bonded
Cut-off wheel size range	250 and 300mm
Rotation speed	3.200 or 3.800 RPM, option variable speed 1.500 RPM to 4.000 RPM
Arbor size	25.4mm
CONTROL	
Control Interface	Push buttons
CUTTING	
Cutting modes	Manual
Type of table	Treated steel table in L
Holders	Vices in horizontal or vertical position-Kopal
LUBRICATION-COOLING	
Pump & tank	External-25 L
Type of lubrication	External recirculating system
Method of directing pumped coolant	2 alignable nozzles
Type of filtration	100 µm washable filter cloth
ERGONOMICS	
Internal lighting	LED
Spray nozzle for cleaning	Optional

ACCESSORIES

Vices and Holders

51210*
Left and right quick clamping vices
Height 45mm

51213*
Left quick clamping vice
Height 45mm

51214*
Right quick clamping vice
Height 45mm

50613
Box of Kopal holders

50616
Kopal holding

Tables & positioning

51212
Manual X-axis table

Other accessories

51006
Base Cabinet
Width 770mm x depth 880mm
x height 855mm

51230
Cleaning Set

51250
Variable speed option (1.500 rpm to 4.000 rpm)

51621
Set of 3 filters for coolant tank



REF. 51210



REF. 51213



REF. 51214



REF. 50613



REF. 50616



REF. 51212



REF. 51006



REF. 51230



REF. 51621

* Stainless steel

CONSUMABLES

STANDARD RESINOID CUT-OFF WHEELS

REF.	DESIGNATION	DIAMETER*	HARDNESS	MATERIALS
01015	Type A abrasive Al ₂ O ₃ (ferrous materials)	Ø 250 x 1.6 x 32mm	100 - 350 Hv	Low carbon, mild and extra mild and treated steels with medium cross-sections
01021		Ø 300 x 2 x 32mm		
01014	Type AO abrasive Al ₂ O ₃ (ferrous materials)	Ø 250 x 1.6 x 32mm	300 - 500 Hv	Treated steels, stainless steels, refractory metals, alloyed cast irons
01020		Ø 300 x 2 x 32mm		
01012	Type AOF II "S" abrasive Al ₂ O ₃ (ferrous materials)	Ø 250 x 0.8 x 32mm	80 - 300 Hv	Rubber bonded cut-off wheel, thin section cutting, low cross-section sintered steels, hard metal layers
01013	Type AOF II	Ø 250 x 0.8 x 32mm		
01019	abrasive Al ₂ O ₃ (ferrous materials)	Ø 300 x 1 x 32mm		
01018	Type F abrasive SiC (non ferrous materials)	Ø 250 x 1.6 x 32mm	150 - 400 Hv	White, grey and spheroidal graphite cast iron, titanium and alloys
01024		Ø 300 x 1.6 x 32mm		
01017	Type MNF abrasive SiC (non ferrous materials)	Ø 250 x 1.6 x 32mm	30 - 350 Hv	Aluminium, copper and alloys, non ferrous metals, titanium and alloys
01023		Ø 300 x 2 x 32mm		
01016	Type S abrasive Al ₂ O ₃ (ferrous materials)	Ø 250 x 1.6 x 32mm	450 - 700 Hv	Treated steels, with fragile coatings, difficult materials
01022		Ø 300 x 2 x 32mm		
01071	Type T abrasive SiC (non ferrous materials)	Ø 250 x 1.6 x 32mm	50 - 400 Hv	Titanium, titanium alloys, non ferrous metals
01072		Ø 300 x 2 x 32mm		

DIAMOND CUT-OFF WHEELS

REF.	DESIGNATION	DIAMETER*	MATERIALS
02042	Type LM	Ø 250 x 1.2 x 32mm	Ceramics, composites, tungsten carbide, alumina, sintered carbides
02046		Ø 300 x 1.4 x 32mm	
02044	Type LM+	Ø 250 x 1.2 x 32mm	Ceramics (large sections), tungsten carbide, silicon carbide, plasma deposit, mounted samples, refractory materials, minerals, concretes
02048		Ø 300 x 1.4 x 32mm	
02045	Type LR	Ø 250 x 1.2 x 32mm	Composites, plasma deposit, ceramics, electronic components
02049		Ø 300 x 1.4 x 32mm	

LM **Metallic bond.** Very polyvalent cut-off wheel, normal concentration, to cut hard materials such as:
■ ceramics, composites, tungsten carbide, alumina, sintered carbides.

LM+ **Metallic bond.** High concentration disc to cut hard materials such as:
■ ceramics (large sections), tungsten carbide, silicon carbide, plasma deposit, mounted samples, refractory materials, minerals, concretes...

LR **Resin bond.** High concentration disc, advised when you want the best cutting quality. To cut hard and fragile materials:
■ composites, plasma deposit, ceramics, electronic components...

BORON CARBIDE CUT-OFF WHEELS

REF.	DESIGNATION	DIAMETER*	MATERIALS
02043	Type NB	Ø 250 x 1.2 x 32mm	Cast irons, treated steels, hard and high speed steels
02047		Ø 300 x 1.2 x 32mm	

NB **Resin bond.** High concentration disc of boron nitride edge to cut:
■ Cast irons, treated steels, hard and high speed steels

* To be used with reduction ring (Ref. 01092)

PRESI IS ALSO...

CUTTING



Mecatome T330

MOUNTING



Mecapress 3

POLISHING



Le Cube

POLISHING



Minitech 233

POLISHING



Mecattech 334



FIND OUT MORE AT
WWW.PRESI.COM

